

# Micro Air Filter



## Model FL0030

*Hollow Fiber Micro Filter  
For IN6430*

### *Micro Filtration for Compressed Air and Gases*

#### *Features*

- 0.01 $\mu$ m Hollow Fiber Micro Filter, and High Flow Rate
- Excellent Particle Removal Efficiency
- Compact and Light Weight
- Quick and Convenient Filter Change
- Precision Cleaned and Packaged

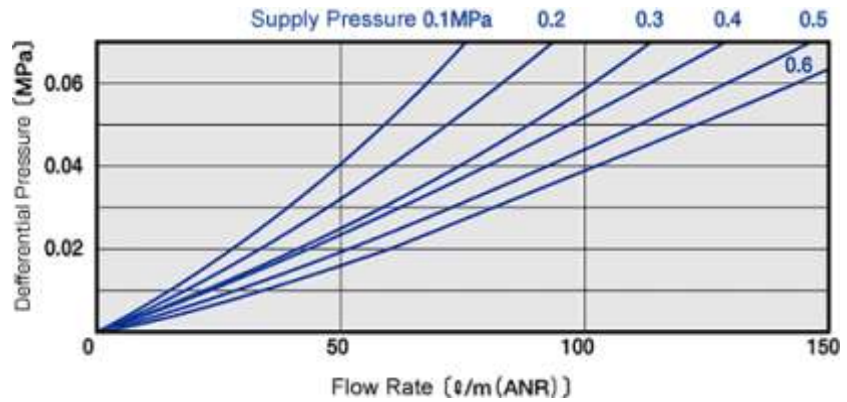
#### *Applications*

- Precision Measuring Instruments and Analysis Equipment, Semiconductor Manufacturing Equipment
- Printing, Painting Equipment, Machine Tools
- Medical, Dental and Food Processing Equipment

#### *Clean Performance*

The FM0030 micro filter features a hollow fiber membrane that provides excellent filtration and has a long service life. The compact design is easy to install and comes with quick release connections for fast replacement. All materials used are compatible for the most stringent applications.

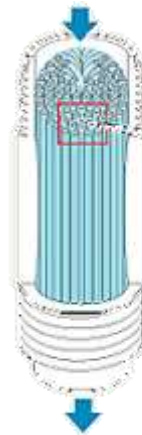
## Flow Characteristics



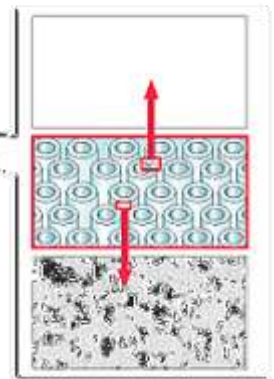
## Features

- 0.01µm Hollow Fiber Micro Filter, and High Flow Rate
- Excellent Particle Removal Efficiency
- Compact and Light Weight
- Quick and Convenient Filter Change
- Precision Cleaned Product (double packing)

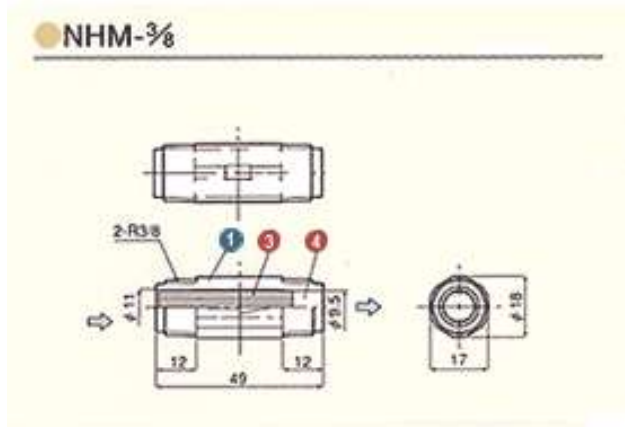
## Exchange Filter



## Hollow Fiber Micro



## Material Characteristics



- |   |              |                       |
|---|--------------|-----------------------|
| 1 | Case         | Nylon66 + Glass Fiber |
| 3 | Filter Media | Polypropylene         |
| 4 | Potting      | polyurethane          |

## About Transforming Technologies

Since 1998, Transforming Technologies has helped electronic manufacturing facilities to protect their products and processes from the many serious problems associated with static electricity.

Transforming Technologies offers a wide range of unique and outstanding products to detect, protect, eliminate and monitor electrostatic charges. Our products are integral components of an effective static control program.

**Distributed By:**  
**Signal Test, Inc**  
 1529 Santiago Ridge Way  
 San Diego, CA 92154  
 Tel. 1-619-575-1577 USA  
[www.SignalTestInc.com](http://www.SignalTestInc.com)  
[Sales@SignalTestInc.com](mailto:Sales@SignalTestInc.com)

