

TOS3200

Leakage Current Tester

Supports touch current and protective conductor current (earth leakage current) tests.



TOS3200



**A leakage current tester has now been added to the TOS Series...
Conforms to international standard IEC 60990 (“Methods of measurement of touch current and protective conductor current”).**

The Leakage Current Tester TOS3200 is designed to test for leakage current (Touch Current and Protective Conductor Current) of general electrical apparatuses, excluding those used for medical purposes. With this tester, you can conduct tests conforming to various standards including IEC, UL, JIS and Electrical Appliance and Material Safety Law (Japan). You can set test conditions through simple operations on the panel because this tester holds in its memory the 51 types of test conditions for IT-related electrical equipment, electrical appliances, audio & visual equipment, lighting fixtures, power tools, and measuring and control instruments, accordingly with the standards of IEC/JIS and Electrical Appliance and Material Safety Law.

- Capable of measuring leakage current in three modes
- Seven built-in measurement circuit networks
- Up to 30 mA for RMS measurement
- Easy-to-understand operation
- Enables the continuous execution of tests
- Capable of saving test results
- 51 types of standard test conditions are preset
- Lets you manage the calibration time limit
- USB interface provided as standard

Kikusui Electronics Corporation 35

Signal Test, Inc
1529 Santiago Ridge Way
San Diego, CA 92154
Tel. 1-619-575-1577 USA
www.SignalTestInc.com
Sales@SignalTestInc.com



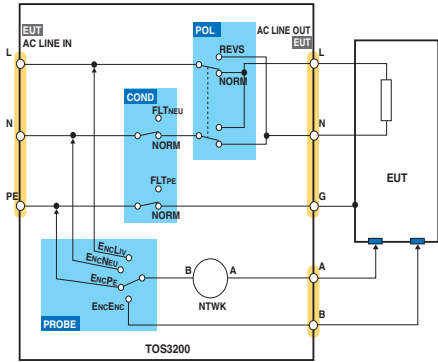
TOS3200

Leakage Current Tester

Capable of measuring leakage current in three modes

Touch current (TC) operating mode*

Enables you to measure the touch current flowing between the enclosure (accessible portion) of the electrical equipment under test (EUT) and the power line incorporating the earth wire, via a human phantom circuit. For human phantom circuits, seven measurement circuit networks (NTWKs) conforming to the applicable standards are provided as standard. The switching of the polarities of the power line to the EUT, as well as single-fault conditions, are automatically set with relays inside the tester.



[Touch current (TC) measurement example]

Protective conductor current (PCC) operating mode*

Enables you to measure the current flowing through the protective conductor (earth wire) by connecting the power plug (NEMA5-15 or an equivalent) of an item of 100 V electrical equipment to the socket on the front panel. A multi-outlet is available as an option (sold separately) to accommodate the different plugs used around the world.

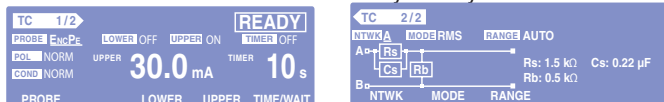
Meter (METER) operating mode

In the same way as an ordinary multimeter, enables you to measure voltage and current using measurement terminals A and B on the front panel. For voltage measurement, it offers a "safety extra low voltage" (SELV) detection function; for current measurement, it offers a measurement function using measurement circuit networks (NTWKs).

*TC=Touch Current PCC=Protective Conductor Current

Easy-to-understand operation

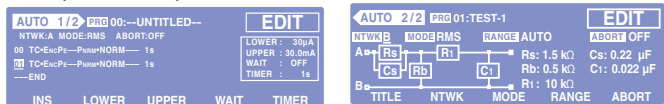
Simple operation is possible thanks to the intuitively understandable test condition menu and the function keys/rotary knobs.



[Setting screen for touch current (TC) measurement]

Enables the continuous execution of tests

Allows you to automatically conduct TC and PCC tests as a single sequence program by setting their test conditions as up to 100 independent tests (steps). You can set up to 100 sequence programs, with up to 500 steps in total.



[Setting screen for auto tests]

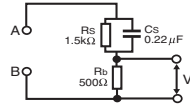
Up to 30 mA for RMS measurement

Capable of measuring 30 μA to 30 mA for DC/RMS measurement and 50 μA to 90 mA for PEAK measurement, both in three ranges. Two range switching functions are provided, namely, a fixed range function (FIX) and auto range function (AUTO), which conform to the current to be measured. For RMS measurement, the "true root-mean-square value" is achieved.

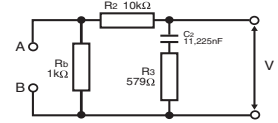
Seven built-in measurement circuit networks

It offers built-in seven measurement circuit networks (NTWKs) for measuring the touch current of general electrical equipment.

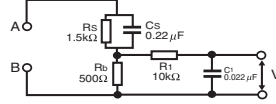
Measurement circuit network (network A)



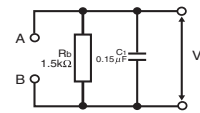
Measurement circuit network (network E)



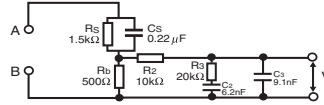
Measurement circuit network (network B)



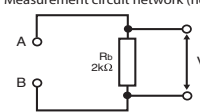
Measurement circuit network (network F)



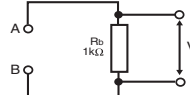
Measurement circuit network (network C)



Measurement circuit network (network G)



Measurement circuit network (network D)



Capable of saving test results

For independent tests, enables you to save not only test results but also the test date and time and the test conditions for up to 50 tests; for auto tests, you can save this data for up to 50 programs. You can also save the test results as external records using the USB and other interfaces.

51 types of standard test conditions are preset

The memory in the main unit is pre-written with 51 types of test conditions for general electrical equipment, which conform to IEC 60990 and the standards listed below. You can set the standard test conditions merely by calling them.

[Standards covered by the memory]

Standard No.	Applicable electrical equipment
IEC60950	Information technology equipment
IEC60335	Household and similar electrical appliances
IEC60065	Audio, video and similar electronic apparatus
IEC60745	Hand-held motor-operated electric tools
IEC60598	Luminaires
IEC61010	Electrical equipment for measurement, control, and laboratory use
Electrical Appliance and Material Safety Law	Electrical appliances
IEC61029	Transportable motor-operated electric tools

Lets you manage the calibration time limit

For independent tests, enables you to save not only test results but also the test date and time and the test conditions for up to 50 tests; for auto tests, you can save this data for up to 50 programs. You can also save the test results as external records using the USB and other interfaces.

USB interface provided as standard

In addition to the SIGNAL I/O, GPIB, and RS-232C interfaces, a USB interface is also provided as standard.

Range of other functions

- "MAX function," which retains the largest current measured.
- "CONV function," which converts the measured current value into the corresponding value for the preset power voltage.
- "SELV function," which causes the DANGER lamp to turn ON if a preset safety extra low voltage (SELV) is exceeded in meter measurement mode.
- "CHECK function," which performs self-analysis of the measurement circuit networks.

TOS3200

Leakage Current Tester

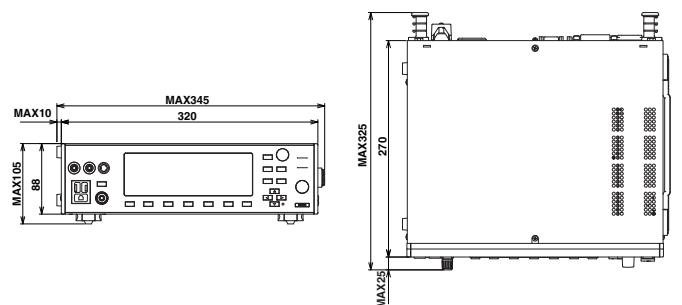
Measurement item, measurement mode			
Measurement item		3 types, namely, touch current (TC) measurement, protective conductor current (PCC) measurement, and METER	
Measurement method	TC	Measure the voltage drop across the reference resistor, using a measurement circuit network (NTWK), and then calculate the current.	
	PCC	Measure the voltage drop across the reference resistor connected to the protective earth wire, and then calculate the current.	
	METER	Measure the voltage and current using the measurement terminals.	
Measurement mode		DC/RMS/PEAK (RMS being the true root-mean-square value)	
Measurement circuit network (NTWK)	Network A	Basic measurement element: (1.5 kΩ/0.22 μF) + 500 Ω (conforming to IEC 60990)	
	Network B	Basic measurement element: (1.5 kΩ/0.22 μF) + 500 Ω/(10 kΩ + 0.022 μF) (conforming to IEC 60990)	
	Network C	Basic measurement element: (1.5 kΩ/0.22 μF) + 500 Ω/(10 kΩ + (20 kΩ + 6.2 nF)/9.1 nF) (conforming to IEC 60990)	
	Network D	Basic measurement element: 1 kΩ (Electrical Appliance and Material Safety Law, etc.)	
	Network E	Basic measurement element: 1 kΩ/(10 kΩ + 11.225 nF + 579 Ω) (conforming to the Electrical Appliance and Material Safety Law)	
	Network F	Basic measurement element: 1.5 kΩ/0.15 μF (UL, etc.)	
	Network G	Basic measurement element: 2 kΩ (general purpose)	
Network constant tolerance		Resistance: ±0.1%, capacitor 0.15 μF: ±2%, other: ±1%	
Current measurement section			
Measurement range	Range 1	DC/RMS: 30 μA to 600 μA, PEAK: 50 μA to 850 μA (*3)	
	Range 2	DC/RMS: 125 μA to 6.00 mA, PEAK: 175 μA to 8.50 mA (*3)	
	Range 3	DC/RMS: 1.25 mA to 30.0 mA, PEAK: 1.75 mA to 90.0 mA (*3)	
Range switching		AUTO/FIX	
Measured current (i) display/resolution		i < 1mA: □□□□ μA, 1 mA ≤ i < 10 mA: □.□□ mA/0.01 mA 10 mA ≤ i < 100 mA: □□.□□ mA/0.1 mA	
Measurement accuracy(*5)	Range 1	DC	±(5.0% of rdng + 20 μA)
		RMS	15 Hz ≤ f ≤ 10 kHz: ±(2.0% of rdng + 8 μA) 10 kHz < f ≤ 1 MHz: ±(5.0% of rdng + 10 μA)
		PEAK	15 Hz ≤ f ≤ 10 kHz: ±(5.0% of rdng + 10 μA)
	Range 2	DC	±(5.0% of rdng + 50 μA)
		RMS	15 Hz ≤ f ≤ 10 kHz: ±(2.0% of rdng + 20 μA) 10 kHz < f ≤ 1 MHz: ±(5.0% of rdng + 20 μA)
		PEAK	15 Hz ≤ f ≤ 1 kHz: ±(2.0% of rdng + 50 μA) 1 kHz < f ≤ 10 kHz: ±(5.0% of rdng + 50 μA)
	Range 3	DC	±(5.0% of rdng + 50 mA)
		RMS	15 Hz ≤ f ≤ 10 kHz: ±(2.0% of rdng + 20 mA) 10 kHz < f ≤ 1 MHz: ±(5.0% of rdng + 20 mA)
		PEAK	15 Hz ≤ f ≤ 1 kHz: ±(2.0% of rdng + 50 mA) 1 kHz < f ≤ 10 kHz: ±(5.0% of rdng + 50 μA)
	Input resistance, input capacitance		1 MΩ±1%, < 200 pF
	Common mode rejection ratio		f ≤ 10 kHz: 60 dB or greater, 10 kHz < f ≤ 1 MHz: 40 dB or greater
	Judgement function		
Judgement method		Pass/fail judgement by setting upper and lower current limits in window comparator mode	
Judgement		U-FAIL for currents above the upper limit; L-FAIL for currents below the lower limit.	
Display, etc.		U-FAIL/L-FAIL/PASS display, buzzer sounding	
PASS hold		The time for which a PASS judgement is retained can be set to 0.2 s to 10.0 s or to HOLD	
Setting range	Range 1	DC/RMS: 30 μA to 600 μA, PEAK: 50 μA to 850 μA (*4)	
	Range 2	DC/RMS: 151 μA to 6.00 mA, PEAK: 213 μA to 8.50 mA (*4)	
	Range 3	DC/RMS: 1.51 mA to 30.0 mA, PEAK: 2.13 mA to 90.0 mA (*4)	
Judgement accuracy		Conforms to measurement accuracy. (Read rdng as set.)	
Measurement of voltage between A and B			
Measurement range		DC/RMS: 10.000 V to 300.0 V, PEAK: 15.000 V to 430.0 V	
Accuracy		±(3% of rdng + 2V), measurement range fixed at AUTO	
Input impedance		Approx. 40 MΩ	
SELV detection		Set the SELV to detect; if this value is exceeded, the DANGER lamp is turned ON	
SELV setting range		10 V to 99 V, in 1-V steps, OFF function provided	
Timer, test execution function, memory			
Timer	Test wait time	Setting range: 0 s to 999 s, accuracy: ±(100 ppm of set + 20 ms)	
	Test time	Setting range: 1 s to 999 s/OFF function, accuracy: ±(100 ppm of set + 20 ms)	
Text execution		Auto test (AUTO): Automatic execution of up to 100 steps (test conditions) Independent test (MANUAL): Independent execution of TC, PCC, or METER measurement	
Memory	Test conditions	AUTO: Up to 100 sequence programs can be saved (up to 500 steps in total). MANUAL: Up to 100 sequence programs can be saved.	
	Test results	The user can select whether to save the judgement results when they are output at the end of the tests. AUTO: Test results for up to 50 programs can be recorded. MANUAL: Test results for up to 50 tests can be recorded.	

- * The warm-up time must be 30 minutes or longer.
- * rdng denotes a reading, set denotes the set value, and EUT is the electrical equipment under test.

- *1. May not apply to custom-made or modified products.
- *2. Limited to products with CE marking on their panels.
- *3. The maximum range is indicated. The range differs depending on the measurement circuit network.
- *4. The maximum range is indicated. The range differs depending on the measurement circuit network. Also, the UPPER setting in each range when the FIX range is selected is indicated.
- *5. Current converted value in Network A,B,C and PCC measurement, based on built-in voltmeter accuracy.

Other functions		
Measured value conversion (CONV)		Converts the measured current value into the corresponding value at the preset power voltage Setting range: 80.0 V to 300.0 V, OFF function provided
MEASURE MODE		Selects a measured value from those below NORM: Displays the measured value in the measurement period MAX: Displays the largest measured value in the measurement period
Power positive/negative phase selection (POL)		NORM: Positive phase connection, REVS: Negative phase connection
Single fault selection (COND)		NORM: Normal, FLTNEU: Disconnection of the neutral wire, FLTPE: Disconnection of the protective earth wire
Earth check		Generates CONTACTFAIL if the enclosure is grounded in a TC (EncLiv, EncNeu) test
MEASURE CHECK		Checks the measurement function between measurement terminals A and B, and places the tester in the PROTECTION state if an error is detected
Voltage measurement(EUT)		Measurement range: 80.0 V to 250.0 V, resolution: 0.1 V, accuracy: ±(3% of rdng + 1 V)
Current measurement(EUT)		Measurement range: 0.1 A to 15.00 A, resolution: 0.01 A, accuracy: ±(5% of rdng + 30 mA)
Power measurement (effective power)		Measurement range: 10 W to 1500 W Accuracy (at a power voltage of 80 V or higher and a load power factor of 1): ±(5% of rdng + 8 W)
System clock	Recording	Items: Calibration date and time, test date and time, permissible date and time: Up to 2099
	Calibration time limit management(CAL PROTECT)	Enables the setting of a calibration time limit. Once this time has passed, a warning is output at power on ON: Places the tester in the PROTECTION state (disables the use of the tester), OFF: Displays warning.
Protective operation		Relay operation error, overload, over range, measurement function check, failure of internal battery, etc.
Interface		
RS-232C		D-Sub 9-pin connector (conforming to EIA-232D), baud rate: 9600/19200/38400 bps (For connection to a PC, use a "9-pin female-female reverse" cable.)
GPIB		Conforms to IEEE Std. 488-1978. (SH1,AH1,T6,TE0,L4,LE0,SRI,PP0,DC1,DT0,C0,E1)
USB		USB Specification 2.0
REMOTE		6-pin MINIDIN connector (for HP21-TOS (separately sold option) only)
SIGNAL I/O		25-pin D-Sub connector
General		
Measurement terminals	Rated voltage/current	Terminals A to B: 250 V, terminal to chassis: 250 V, 100 mA
	Measurement category	CAT II
Environment	Effective terminal display	Terminals effective to measurement are indicated with LED lamps.
	Specification assured range	Temperature: 5 °C to 35 °C, humidity: 20% rh to 80% rh (no condensation)
	Operating range	Temperature: 0 °C to 40 °C, humidity: 20% rh to 80% rh (no condensation)
	Storage range	Temperature: -20 °C to 70 °C, humidity: 90% rh or less (no condensation)
Power	Mounting location	Indoors, altitude of 2000 m or less
	Input power for EUT	Nominal input rating: 100V ac to 240V ac, 50/60Hz, power consumption: 70 VA max. Rated output capacity: 1500 VA, maximum current: 15 A, rush current: 70 A peak max. (within 20 ms)
Insulation resistance		30 MΩ or greater (500 Vdc) (between AC line and chassis, between measurement terminal and chassis)
Withstand voltage		1390 Vac, 2 seconds/20 mA or less (between AC line and chassis)
Ground bond		25 Aac/0.1 Ω or less
Safety (*1)		Conforms to the requirements of the directive and standard below. Low Voltage Directive 2006/95/EC, EN61010-1 Class I, Pollution degree 2)
Electromagnetic compatibility (*1, *2)		Conforms to the requirements of the directive and standard below. EMC Directive 89/336/ECC, EN61326, EN61000-3-2, EN61000-3-3. Applicable conditions: All cables and wires used to connect to this product must be shorter than 3 meters. Use the supplied test leads.
Outside dimensions, weight		320 (345) W × 88 (105) H × 270 (335) D mm, approx. 5 kg
Accessories		1 set of test leads (TL21-TOS: red and black, one each, with alligator clips) 1 flat probe (FP01-TOS), 1 spare fuse (15A, for EUT power) 1 instruction manual, 1 circuit principle diagram sticker 2 power cords (for the tester and for the EUT AC line)

External dimensional diagrams



Unit: mm



KIKUSUI ELECTRONICS CORPORATION

Signal Test, Inc
1529 Santiago Ridge Way
San Diego, CA 92154
Tel. 1-619-575-1577 USA
www.SignalTestInc.com
Sales@SignalTestInc.com

