

# Airflex Ionizer



## Model IN4000PE

*Ptec™ Airflex Ionizer*

### *Piezo AC Ionization: Powerful, Balanced and Precise*

#### **Features**

- Proximity sensing photoelectric eye
- Ptec™ technology
- High Frequency AC (68KHz) ion emission
- Flexible, with multiple nozzle options
- Alarm indicator

#### **Benefits**

- Delivers clean air at the correct pressure with hands-free operation
- Inherently stable output. Does not require calibration
- Reduces emitter cleaning. Extends emitter life. Dense ion output
- Easy to service emitters
- Red output alarm illuminates to alert high voltage failure

#### **Ptec™ Stability**

The IN4000PE Airflex ionizer combines exceptionally fast static decay capability with excellent balance stability, all in a small footprint. A proximity sensing photoelectric eye controls the power and air flow for easy hands free ionization. Designed to protect most static sensitive devices, the IN4000PE uses a specialized piezoceramic technology that makes all the Ptec™ ionizers so reliable.

#### **Maintenance Savings**

Ptec™ ionizers save time and money because they require no calibration. Emitter life is increased and maintenance frequency is reduced, due to 68KHz AC ion emission.

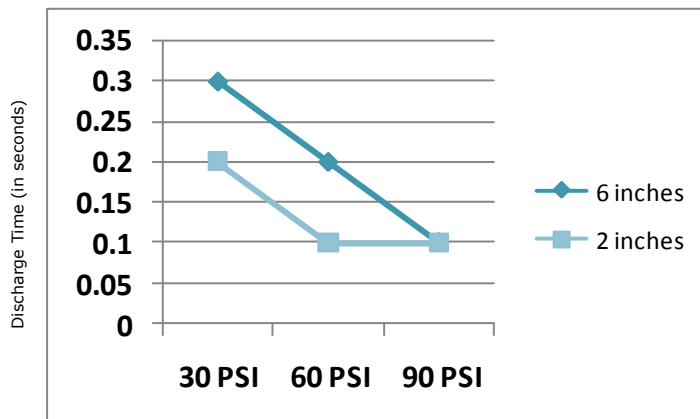
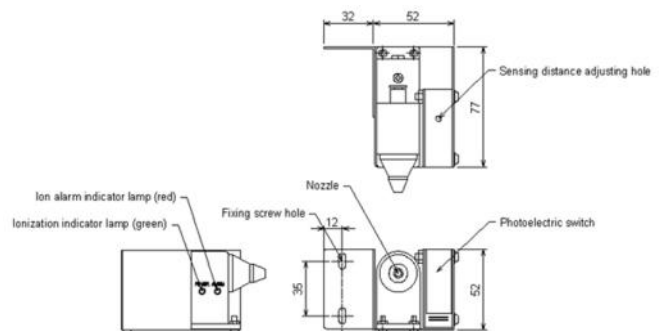
Model IN4000PE Ptec™      Specifications

<b>Power Input</b>	AC 100V~240V, 50/60Hz
<b>Power Outlet</b>	un-fused, 0.5A or 1.0A max.
<b>Ion Emission</b>	AC, 68KHz
<b>Balance</b>	±30 volts
<b>Decay Time</b>	1000V—100V, < 2 seconds @ 12"
<b>Temperature</b>	66-78°F (19-25°C)
<b>Humidity</b>	20-60% RH (non-condensing)
<b>Air Pressure</b>	10—100 PSI, CDA or N2
<b>Indicators</b>	Power: Green LED, Alarm: Red
<b>Photoelectric Eye</b>	Distance: >35cm
<b>Mounting</b>	Table mount
<b>Emitter Points</b>	Tungsten Alloy
<b>Dimensions</b>	12"H x 5.75"W x 7.25"D, (30.5 x 14.6 x 18.5 cm)
<b>Filter Option</b>	.01 micron filter (replaceable)
<b>Weight</b>	2.8lbs, (1.27kg) (including stand)
<b>Warranty</b>	1-year limited warranty
<b>Certifications</b>	Pending Certifications

**Ptec™ Focused Air Ionization**

A specialized piezoceramic high voltage transformer drives the technology making Ptec™ ionizers among the most reliable ionizers available. The model IN4000PE fixed position static eliminator produces a 68KHz AC output of approximately 2200V and a continuous stream of balanced air ions. Stable, small and lightweight, Ptec™ products detect and alarm if the high voltage output fails.

Ionizers that use Ptec™ technology do not require calibration and only minimal maintenance.



Offset voltage and discharge time per ESDA standard S3.1 using a charged plate monitor with a 20pF, 6" x 6" plate. Typical results. 1000 to 100 volts.

*The replaceable filter on the IN4000PE assures a clean flow of ionized air*



**About Transforming Technologies**

Since 1998, Transforming Technologies has helped electronic manufacturing facilities to protect their products and processes from the many serious problems associated with static electricity.

Transforming Technologies offers a wide range of unique and outstanding products to detect, protect, eliminate and monitor electrostatic charges. Our products are integral components of an effective static control program.

**Distributed By:**  
**Signal Test, Inc**  
 1529 Santiago Ridge Way  
 San Diego, CA 92154  
 Tel. 1-619-575-1577 USA  
[www.SignalTestInc.com](http://www.SignalTestInc.com)  
[Sales@SignalTestInc.com](mailto:Sales@SignalTestInc.com)

