

# Hands Free Ionizing Nozzle



## Model IN3425PE

*Ptec™ Air Ionizing Nozzle  
with Photoelectric Eye*

### *Piezo AC Ionization: Powerful, Balanced and Precise*

#### **Features**

- Photo Electric Eye
- Ptec™ Technology
- High Frequency AC (68KHz) ion emission
- Interchangeable nozzle tips
- Alarm indicator
- Quick release gas connections

#### **Benefits**


- Hands-Free Operation
- Inherently stable output. Does not require calibration
- Reduces emitter cleaning. Extends emitter life. Dense ion output
- Point-of-use ionization for unique and difficult applications.
- Red output alarm illuminates to alert high voltage failure
- Easily installed and

#### **Ptec™ Air Ionizing Nozzle**

The Model IN3425PE 68KHz AC ionizing air nozzle is a point-of-use solution for a wide range of static problems. A proximity sensing photoelectric eye controls the power and air flow for easy hands free ionization. The IN3425PE easily connects to a compressed air source and offers various output nozzles for specialized applications.

Using AC corona technology to make the air more conductive, Ptec™ ionizers produce a balanced stream of positive and negative air ions that never need calibration. The main unit of the device is equipped with a small HV power unit so no external HV power unit or HV wiring is needed. The IN3425PE is light, small and free from EMI. It is equipped with an auto ion balance and abnormal HV monitoring systems. These devices are used in many industries and manufacturing applications where static electricity is a problem.

### Model IN3425 Ptec™ Specifications

<b>Power Supply Volt</b>	AC 80V~240V 50/60Hz
<b>Optional DC Power Unit</b>	DC24V 200mA
<b>Output HV</b>	AC2200V
<b>Safety Performance</b>	Abnormal HV Alarm
<b>Balance</b>	±30 volts
<b>Decay Time</b>	1000V—100V, < 2 seconds @ 6"
<b>Air line Requirements</b>	1/4" NPT
<b>Max. Air Range</b>	28—100 psi
<b>Ozone Density</b>	Less than 0.01 ppm
<b>Photoelectric Eye</b>	Distance: >35cm
<b>LED Indicators</b>	Ionization: Green, Alarm: Red
<b>Controls</b>	On/off switch, variable fan speed
<b>Mounting</b>	(4) four mounting holes
<b>Emitter Points</b>	Alloy Discharge Needle
<b>Dimensions</b>	2.0"H x 1"x 4.5" D, (5.0 x 2.6 x 10.3 cm) (with standard output nozzle)
<b>Weight</b>	1.0lbs, (.45kg)
<b>Options</b>	Various nozzle tips, (see selection chart)
<b>Warranty</b>	1-year limited warranty
<b>Certifications</b>	

### Output Nozzle Options

The IN3420 comes with the IN0010 standard nozzle tip. Wide angle, long range, bendable, luer lock or manifold tips may be substituted depending on the application.

- N0010: Standard 15°
- N0020: Wide Angle
- N0030: Luer Lock
- N0040: Long Range
- N0050: Bendable
- N0060: Manifold

### About Transforming Technologies

Since 1998, Transforming Technologies has helped electronic manufacturing facilities to protect their products and processes from the many serious problems associated with static electricity.

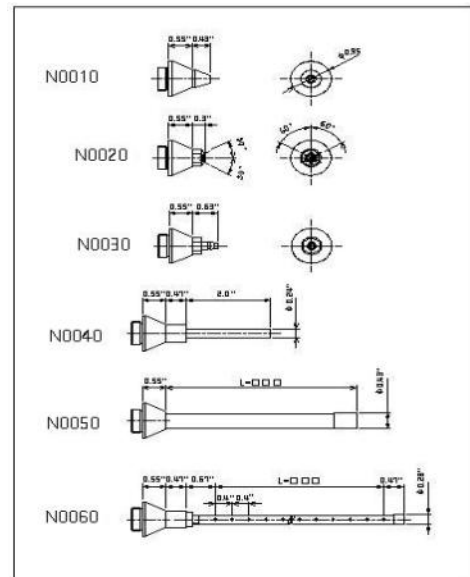
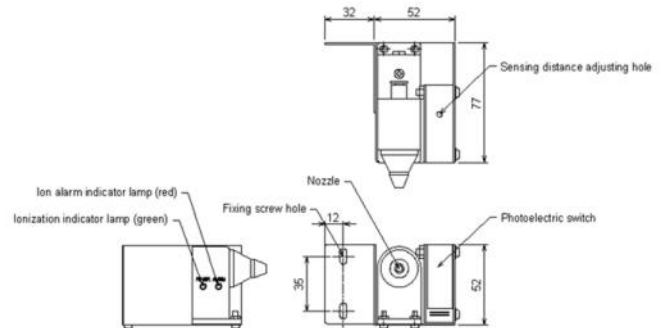
Transforming Technologies offers a wide range of unique and outstanding products to detect, protect, eliminate and monitor electrostatic charges. Our products are integral components of an effective static control program.

### Ptec™ Stability

The IN3425 air ionizing nozzle combines exceptionally fast static decay capability with excellent balance stability and can be mounted almost anywhere. The ionizing unit is self contained and operates using compressed air or nitrogen. The IN3425 uses a specialized piezoceramic technology that makes Ptec™ ionizers extremely reliable.

### Performance

Pressure(kgf / cm2)	45	55	70	85
Positive Decay Time (sec)	0.4	0.4	0.3	0.3
Negative Decay Time (sec)	0.5	0.4	0.3	0.3
Ion Balance (V)	Within 0±30V			
Test is done according to EOS/ESD-STM3.1-2000 standard of America.				



**Distributed By:**  
**Signal Test, Inc**  
 1529 Santiago Ridge Way  
 San Diego, CA 92154  
 Tel. 1-619-575-1577 USA  
[www.SignalTestInc.com](http://www.SignalTestInc.com)  
[Sales@SignalTestInc.com](mailto:Sales@SignalTestInc.com)